



GROWING TOGETHER

SP Ultimate



04 WELL THOUGHT OUT DESIGN
UNRIVALLED DURABILITY

05 EFFICIENCY, STABILITY AND COMFORT

06 LOW LOADING HEIGHT, HIGH STABILITY
AND INCREASED PRODUCTIVITY

07 VERTICAL BEATERS A UNIQUE DESIGN

08 VERSATILITY AND PRECISION IN SPREADING

09 MAKE THE MOST OF YOUR NEW SPREADER

10 CONTROL SYSTEMS WITH
OUTSTANDING FUNCTIONALITY

12 LOW WEIGHT HIGH STRENGTH,
EFFECTIVE DISTRIBUTION

14 GOOD COMPONENTS FOR YOUR
SAMSON SP ULTIMATE

17 SAMSON SERVICE AND DEALER NETWORK

19 SAMSON AGRO

20 TECHNICAL SPECIFICATIONS



SAMSON SP Ultimate

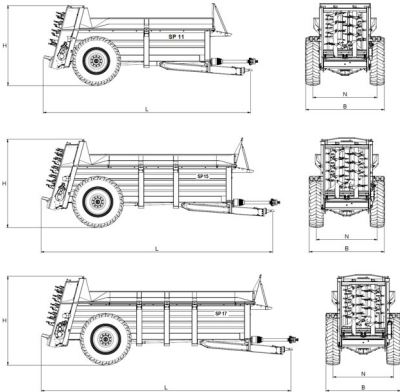
The most important feature of the SP Ultimate series is its ability to easily, accurately and efficiently distribute and spread livestock manure evenly across the field. This is essential for full utilisation of livestock manure by the plants.



Well thought out design Unrivalled durability

The design of the SP Ultimate spreaders is based on the needs and wishes of users to spread heavy and compact material, composted material or material with a high straw content. The SP Ultimate spreaders are therefore a good choice when high performance is required while guaranteeing a wide spreading width and a precise spreading picture.

The SP Ultimate series is very versatile and geared to handle all kinds of spreading tasks – on farms, at agricultural contractors, at biogas plants and at machinery cooperatives.



SAMSON SP Ultimate is available with extra sides. The smallest model is called SP 11 Ultimate, then SP 15 Ultimate and the largest model is SP 17 Ultimate. The numbers indicate the manure capacity of each spreader in cubic meters.



Efficiency, stability and comfort

SAMSON SP Ultimate is the result of many decades of know-how. The series has been continuously developed and adapted to intensive farming.

- The box, triangle and beaters are made of high strength steel for a low net weight and long service life
- Four strong carpet chains with a high tensile strength ensure uniform distribution of the load
- The tapered, lengthwise design of the box ensures natural distribution of the material
- The low centre of gravity and wheels close to the box mean a low loading height
- Vertical spreading beaters ensure a wide and even distribution of the material
- Spreading limiters on the left, right or both sides ensure increased precision and wide distribution capability
- The front grille protects the driver from foreign objects and ensures a good view from the tractor when filling and emptying the spreader
- The machine is equipped with four rubber shock absorbers that ensure good suspension with both full and empty boxes
- The machine can be fitted with wheels up to 1.82 m in diameter
- The machine can be upgraded to MuckControl or SpreadMaster 6500, which can count spreading time, theoretical weight and number of hectares

Low loading height, high stability and increased productivity

The SP Ultimate spreader is constructed with a low centre of gravity and the wheels close to the box to achieve good stability and one of the lowest loading heights on the market. The SP Ultimate spreader can easily be loaded with, for example, a tractor with a front loader. The construction of the box and stability of the spreader allow for an impressively high loading level and work productivity. Even when driving on sloping terrain with a full load, the SP Ultimate spreader is very stable. Despite the low centre of gravity, the SP Ultimate spreader

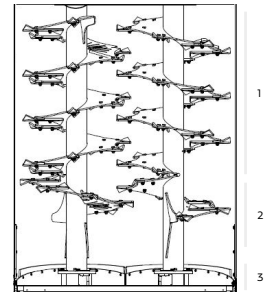
can be fitted with large wheels (up to 1.82 m in diameter). Larger wheels provide better weight transfer to the tractor and reduce rolling resistance. Together with the SP Ultimate spreader's low net weight, this reduces the need for traction. As the wheels are located so far to the rear of the SP Ultimate spreader, no negative drawbar load is generated. Even when the box is almost empty, the power transmission remains under control.



Vertical beaters A unique design

SAMSON SP's dual vertical beaters offer unrivalled performance. The design of the spreading beaters provides an optimal and uniform spreading picture and allows application rates from 4 to 70 tons per hectare. The beaters can handle all types of materials, as the diameter, rotation speed of the beaters and design of the spikes help to ensure optimal reduction, dosing and spreading of material.

1. In the top 2/3 of the beater, the spiral turns to the left. Here, the material is distributed in a parabolic and uniform manner.
2. In the lower 1/3 of the beater, the spiral is mounted in reverse. Here, a downward spread occurs with a shorter arc, so the spread is less wind sensitive.
3. The curved spreading blades at the bottom of the beater on the spreading table remove the bottom/last material in the spreader box. And the majority of foreign objects are removed.





Versatility and precision in spreading

SAMSON SP Ultimate can be equipped with different types of spreading screens and limiters, which can be purchased for either left, right or both sides.

The screen and limiters provide up to three functions in one solution. They serve as wide distribution equipment, spreading limiter and approved safety gate for road use.

Make the most of your new spreader



Spreading screen for widespreading. Spreading screens for widespreading are aimed at users who mainly spread manure, but also occasionally spread lighter products such as compost, sludge, ash and lime, which require a lower volume per hectare. When the screens are opened, spreading covers the full working width. When the screens are closed during spreading, they serve as widespreading

equipment. This works by directing the entire spread volume through a smaller opening at the bottom of the beaters. The two fixed deflector wings ensure that the material is spread with great force, enabling it to spread wider. With this type of screen, the traditional muck spreader is combined with widespreading equipment, as seen in the SAMSON FLEX II & US series.

FULL WORKING WIDTH



LIMITED WORKING WIDTH



SAFETY GATE



Spreading limiters and rear safety gate*. Spreading limiters can either be fully opened or individually closed to limit the spread to either right or left. At full working width, the spreading limiters are left completely open and spreading covers the full working width of the beaters. Limited working width allows you to control the spread, e.g. when spreading close to traffic routes or field boundaries. When

the spreading limiters are closed when driving on roads, safety for other road users increases considerably and ensures that you can comply with legal requirements regarding road safety, as the beaters are completely covered while driving. This type of spreading limiter is intended for users who mainly spread manure.

* The images show the product "Spreading screen for widespreading" and not "Spreading limiters and rear safety gate"

CONTROL SYSTEMS WITH OUTSTANDING FUNCTIONALITY

SAMSON SP Ultimate is equipped with manual carpet chain adjustment as standard, but can be upgraded to MuckControl or SpreadMaster 6500.

MuckControl

MuckControl is an electronic carpet chain adjustment system.

MuckControl allows the driver to control the speed of the carpet chain using a potentiometer. Spreading is started and stopped manually by pressing an easy to use button.



MuckControl



SpreadMaster 6500

SpreadMaster 6500

SpreadMaster 6500 is an electronic control system that depends on driving conditions. SpreadMaster 6500 can control the hydraulic functions and operate volumetric dosing.

The SpreadMaster 6500 control has a 4.3" touch screen that displays all the important functions on the main screen. SpreadMaster 6500 counts continuous load, area, time and total volume. SpreadMaster 6500 runs the carpet speed in proportion to the spreader speed. This ensures a more accurate dosing of the material and counts spreading time, theoretical weight and number of hectares.

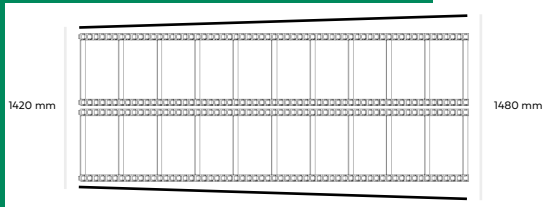
Automatic volumetric dosing

The SpreadMaster 6500 control system offers automatic volumetric dosing. The principle is known from lime and fertiliser spreaders. The system adjusts the carpet speed in relation to the height of the dosing gate, the forward speed and the set dosage per hectare. This provides very accurate dosing especially in homogeneous, high-value materials such as poultry manure, compost or lime.

Technical data SpreadMaster 6500

- Terminal: 4.3" touch screen
- Physical button for start/stop spreading
- Three hydraulic functions available
- Three jobs available plus a total counter





Low weight. High strength. Effective distribution.

SP Ultimate spreader boxes have a tapered, lengthwise construction. This means that the box is wider in the rear section than in the front. This ensures a natural feed of the material along the longitudinal direction of the box and efficient supply to the spreading equipment. At the same time, the tapered construction prevents the material from forming a bridge in the box, even when material with a high straw content is being spread.

The vital parts of the SP Ultimate spreaders are made of high strength steel, which combines low weight with high strength. For example, most of the box is produced in Domex high strength steel, which can withstand 3-4 times as much stress as other steel grades.



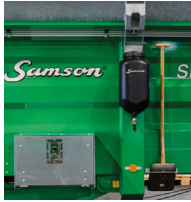
Good components for your SAMSON SP Ultimate



STRONG CARPET CHAIN AND TENSIONING SYSTEM

Two double-chained carpet chains ensure a regular and stable feed to the spreading equipment. The chains are made of steel with a high tensile strength and dual direction rotation. The L-shaped profile of the carriers makes them very strong and ensures better emptying.

SAMSON SP Ultimate can be equipped with a patented hydraulic carpet chain tensioner system, which increases service life and guarantees low maintenance costs. The system is easy to use and ensures that the four chains are always properly adjusted and tensioned according to the weight of the material in the box.



INCREASED DRIVER COMFORT

Large tool box, water tank and shovel holder including shovel with ergonomic grip are options on the SAMSON SP Ultimate, which increase driver comfort.

The toolbox ensures easy access and plenty of space for tools, clothing and boots.

The 18 litre water tank allows you to wash your hands and tools after work and helps keep the tractor cab clean.



BRIGHT WORK LIGHTS

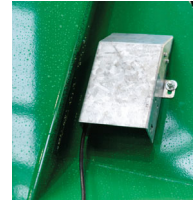
LED lighting is optional on SP11 Ultimate, SP15 Ultimate and SP17 Ultimate.

The LED lights are very reliable and require minimal maintenance. The working area is also illuminated via bright, high LED lamps, 2 on the side and 1 in the box, which increase safety and capacity even after nightfall.



EASILY ACCESSIBLE LUBRICATION POINTS

All lubrication points on SAMSON SP Ultimate, including lubrication points on the spreading equipment and carpet chain, are located in places and at a height that makes them easy to access and operate when standing on the ground. The main transmission line is mounted on wooden bearings, which eliminates the need for maintenance and lubrication. The bearings located at the front and rear of the drive shaft also have easily accessible lubrication points.



AUTOMATIC ALARM

SAMSON SP Ultimate complies with the EN690 safety standard. An alarm warns the surrounding area as soon as and if the beaters rotate while the spreader is stationary.



UNIQUE, STRONG CONSTRUCTION

The SP Ultimate spreader box has a unique design. The sides are bent. This is a very strong structure that allows very sticky material to be spread without problems, as the suction effect that can occur on straight surfaces with a sticky material does not occur.



Product development is a high priority at SAMSON AGRO. The company has a large team of engineers who continuously develop and update products to maintain our position as the leading specialist in natural fertiliser machines and related application technology.

SAMSON service and dealer network

When you choose a SAMSON product, you will benefit from our large and well-established network of dealers, who are available to provide excellent service and special knowledge of our machines and equipment.

SAMSON dealers are in close and continuous contact with SAMSON AGRO, who place great importance on individual SAMSON specialists achieving expert knowledge through the SAMSON ACADEMY training program. A smooth and efficient service concept also ensures that every customer receives professional service before, during and after a purchase.

SAMSON AGRO maintains a large stock of spare parts to ensure the fast and efficient maintenance and upgrade of all SAMSON machines and products.



FERTILISER BASED ON NATURAL NUTRIENTS

SAMSON AGRO produces slurry tankers, muck spreaders and universal spreaders with the aim of achieving maximum application efficiency and optimal use of the nutrients in natural fertiliser. We supply a wide range of application machines, implements and application technology, where all elements in the fertiliser process are considered. Our goal is to meet the agricultural industry's demand for innovative, environmentally sound, high quality solutions for the application of natural fertilisers.

Technical specifications

Machine dimensions in metres		SP 11 Ultimate	SP 15 Ultimate	SP 17 Ultimate
Length*	L	7.11	7.91	8.52
Total height	H	2.686**	2.99	2.99
Alliance 23.1-26 Diagonal 347	W	2.80		
Alliance 460/85 R38 Agristar II	W		2.525	2.545
Track width**		2.215	2.045	2.065
Hub width***	H	2.115	2.115	2.225
Loading height**		2.1	2.49	2.49
Box dimensions (internal):				
Width		1.46	1.46	1.46
Side height		1.25	1.41	1.41
Length (centre)		4.4	5.16	5.81
Volume to top edge , m ³		9.6	12.4	13.6
Volume with 50 cm top, m ³		11.9	15.1	17.2
Weight, kg		3,120	4,225	4,480
Total permissible weight, kg		14,000	14,000	14,000
Traction, hp		Min. 100	Min. 130	Min. 140

* With standard drawbar without extension

** With standard wheel assembly

*** Width of axle contact surface

